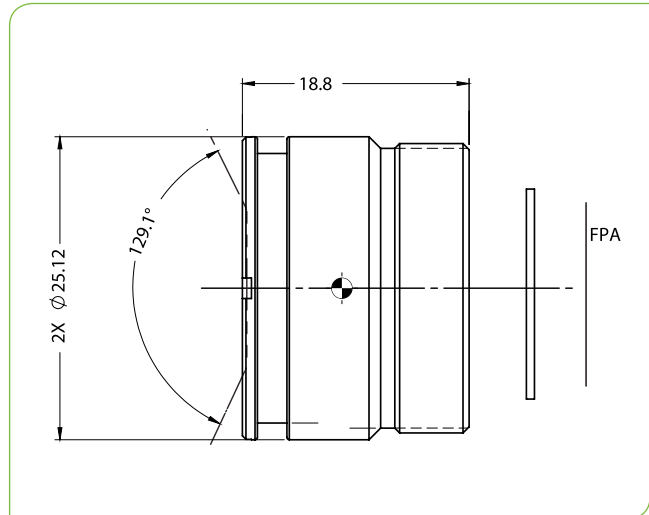


# SupIR 7.5mm f/1.2, Fixed Athermalized 680331

TYPICAL ICD\*



**HD  
FORMAT**



HFOV	320x240	384x288	640x480	1024x768
17μ	42.5°	51.4°	90.9°	
12μ	29.7°	35.8°	61.1°	106.5°

Property	Value				
<b>Optical</b>					
Focal Length	7.5mm				
F#	1.2				
Average transmission (8-12μm)	93% (HD) / 87% (HC)				
Back Focal Length	12.8mm in air				
<b>Mechanical</b>					
Focus Mechanism	Fixed				
Depth of Field	2m to infinity				
Focus Range	0.4m to infinity				
Weight	see configurations table below				
Max. Dimensions	see configurations table below				
<b>Environmental</b>					
Operation Temperature	-40°C to +80°C				
Storage Temperature	-50°C to +85°C				
Sealing	IP 67 front element only				
<b>Configurations</b>	<b>Weight (gr)</b>	<b>Dimensions</b>	<b>BWD**</b>	<b>Thread</b>	<b>Coating</b>
680331-001	24.5	Ø25.12mm x 18.8mm	9.7	M24x0.5	HD
680331-002					LRHC***
680331-005	43.9	Ø34.9mm x 18.8mm		M34x0.5	HD
680331-006					LRHC***

\* The ICD drawing provided here is primarily a representation and may not accurately reflect the product's actual dimensions and specifications. For precise integration specifications contact your local sales representative.

\*\* The BWD value is calculated for a unique detector setup with varying sealing windows in terms of thickness and material. For more details, contact your local sales representative.

\*\*\* For detailed LRHC coating specifications see page 13